

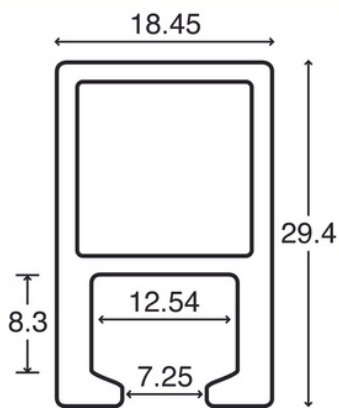
# Choosing the right Marlux Medical Hook

Our hooks are designed to be compatible with most hospital track systems within any healthcare setting.

Our Uni-Glide, Universal, and Fast-Fit hooks are specially designed to seamlessly glide along the hospital track systems, ensuring smooth and efficient operation.

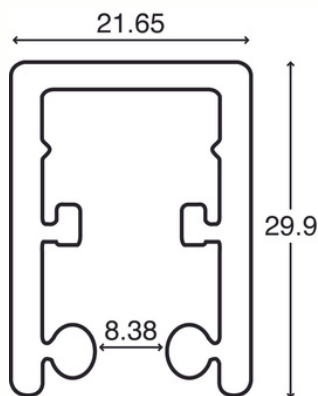
With our comprehensive guide, you'll easily identify the right Marlux Medical hook that perfectly matches your track type.

**Antiference**



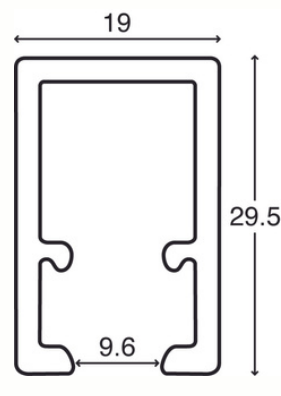
**Uni-Glide/Universal**

**CS Track 1**



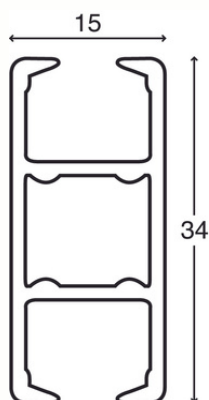
**MK5 Adapt-a-Track & Fast Fit**

**CS Track 2**



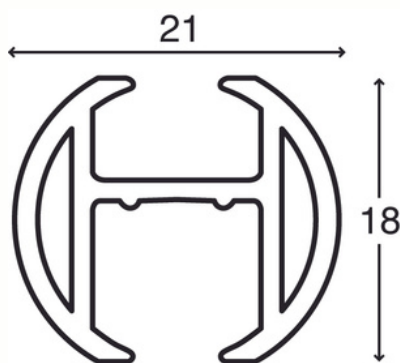
**MK5 Adapt-a-Track & Fast Fit**

**Goelst 4100**



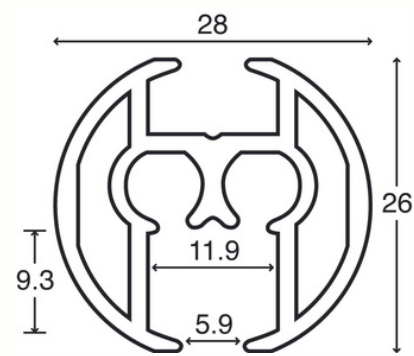
**Uni-Glide/Universal**

**Goelst 4200**



**Uni-Glide/Universal**

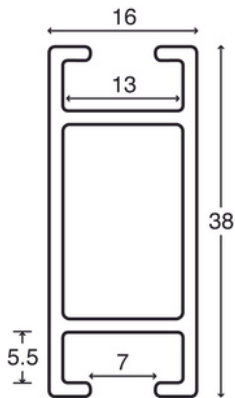
**Goelst 5100**



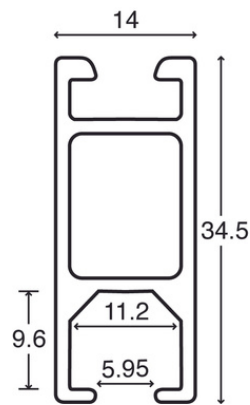
**Uni-Glide/Universal**



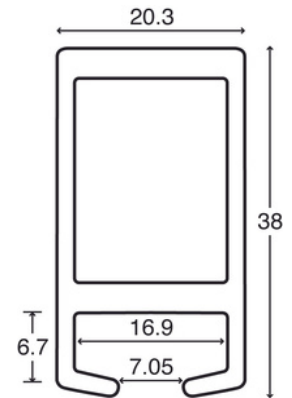
### Harrison Drape 88



### Mottura Separe



### Movatrack

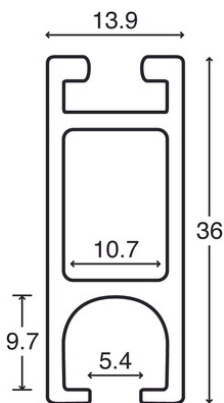


Uni-Glide/Universal

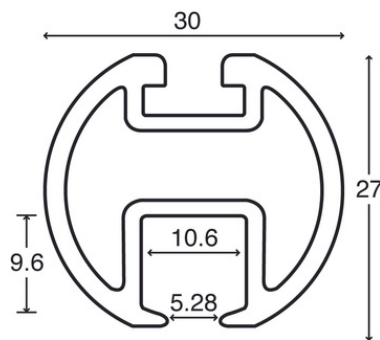
Uni-Glide/Universal

Uni-Glide/Universal

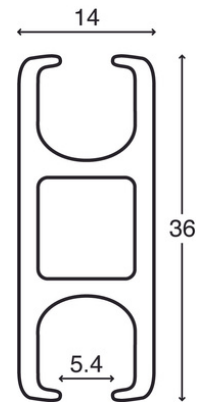
### Silent Gliss 6101



### Silent Gliss 6103



### Silent Gliss 6109



Uni-Glide/Universal

Uni-Glide/Universal

Uni-Glide/Universal

To learn more about how to fit Marlux Medical Privacy Curtains, watch our useful [‘How to fit’ videos](#).



cs@marluxmedical.com



0121 783 5777



www.marluxmedical.com